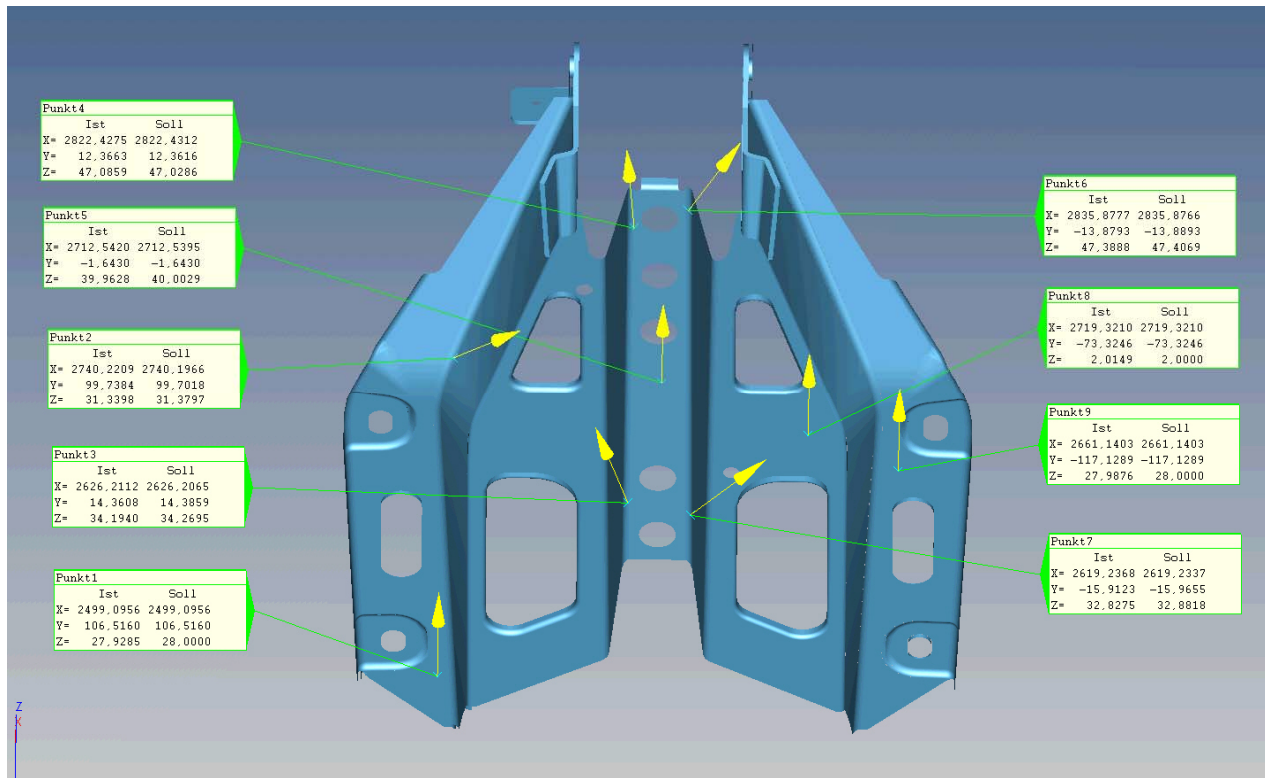


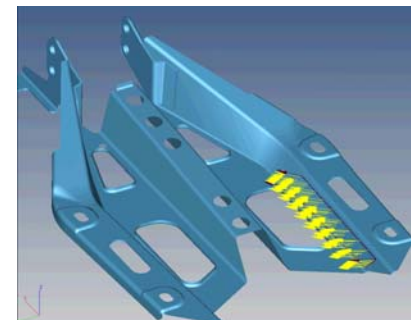
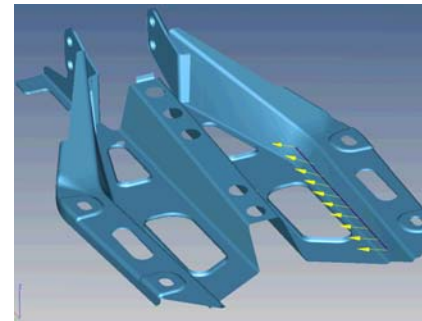
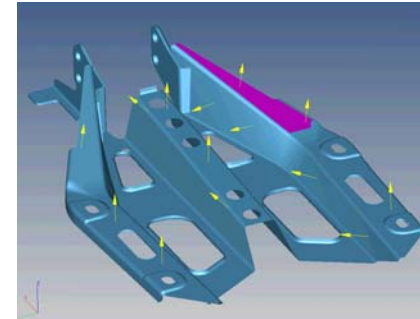
Calypso freeform package



Calypso freeform package

Definition of measuring points

- Single point generation by clicking with the mouse on the CAD model. Storing the points as single points or as a space point group in the inspection plan.
- Definition of points on a curve by clicking a start- and a endpoint on the curve. The point distribution can be defined with a fixed number of points, with a point distance or curvature dependent.
- Definition of a grid by clicking four boarder points, or a surface element on the model. The point distribution can be defined with a fixed number of points, with a point distance or curvature dependent.

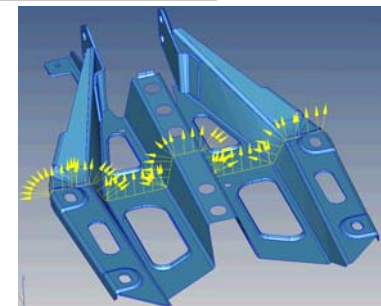
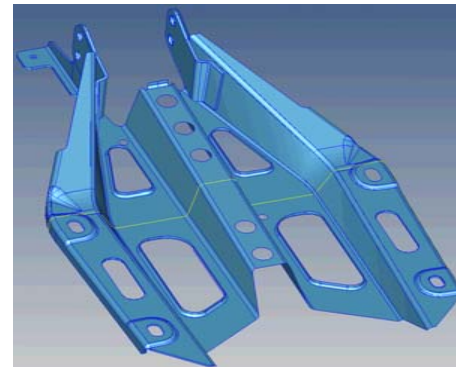
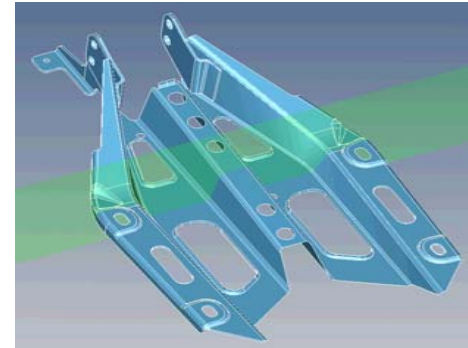


Calypso freeform package

Definition of measuring points



- Definition of sections in the workpiece coordinate system. The location of the section is defined by the input of the section height or a mouse click on the CAD model. The point distribution can be defined with a fixed number of points, with a point distance or curvature dependent.



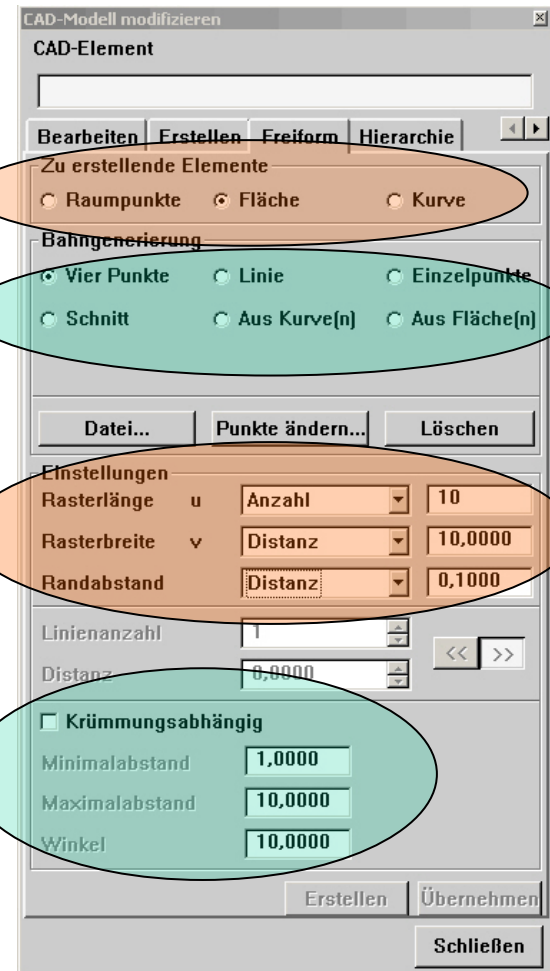
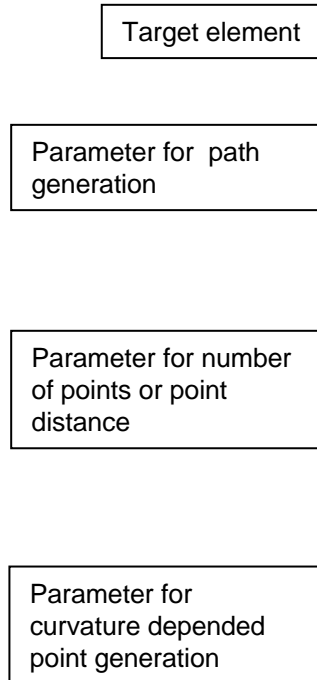
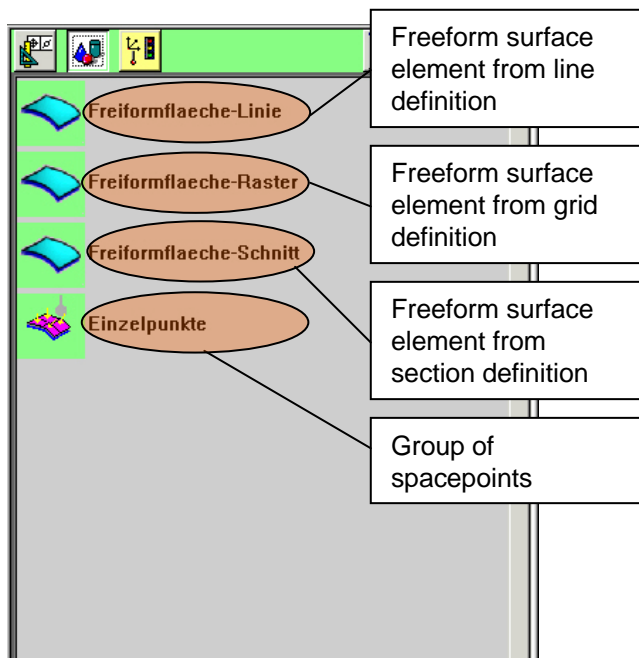
Calypso freeform package

Definition of measuring points



Dialog to define the measuring points

Elements in the inspection plan



Calypso freeform package

Representation of deviations



- Representation of the deviations with error flags. The content of the flags is variable.
- Representation of the point deviations with colored marks. The diameter and the height of the markers are variable.
- Representation of the point deviation with chromatical colors. The magnification and the color range are variable (up to 20 colors).

